

Falcon 1.4M100 (Preliminary)

Area Scan Camera



Key Features

- 1.4 megapixels
- 100 fps
- Global shutter and reset
- Exposure control
- Concurrent integration and readout
- Faster frame rates through vertical windowing
- Mini-Camera Link
- 10 meter transmission @ 80 MHz

Programmability

- Flat field correction
- Adjustable timing modes
- Adjustable gain and offset
- Test patterns and camera diagnostics

Typical Applications

- Pick and place
- Electronics manufacturing
- Wire and die bonding
- Semiconductor inspection
- Industrial metrology
- General machine vision

Overview

Fast, sharp, and with megapixel imaging. 100 frames per second and 1.4 megapixels of resolution delivered within a compact camera body.

DALSA's new 1.4 megapixel camera delivers 100fps at full resolution in a compact body ideal for applications in electronics manufacturing and semiconductor inspection. The camera uses DALSA's patented CMOS sensor technology to deliver global shuttering, global reset, and concurrent integration and readout. The images produced are crisp and clear, avoiding image artifacts associated with rolling shutter.

Fully programmable, via base mini-Camera Link, the camera incorporates exposure control, gain and offset adjustment, and flat-field correction. Ease of use is enhanced through simple camera control and timing, and the ability to transmit data using 10m long mini-Camera Link cables.

Delivered in a robust, compact body, this camera should be your definitive choice for area-based systems.

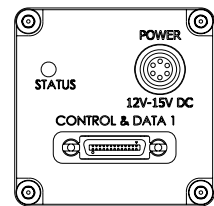
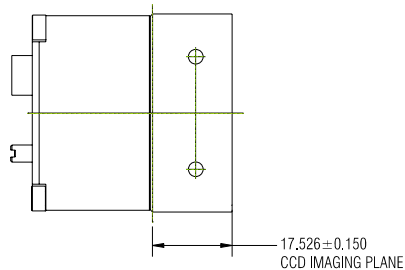
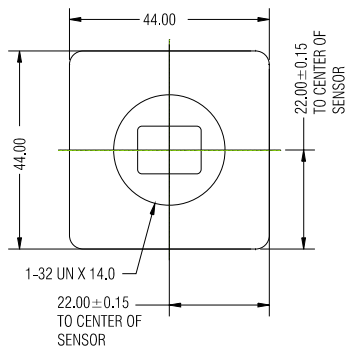
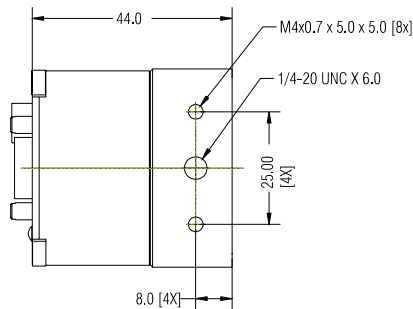
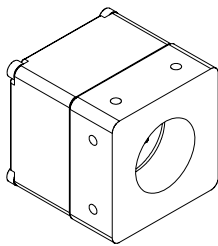
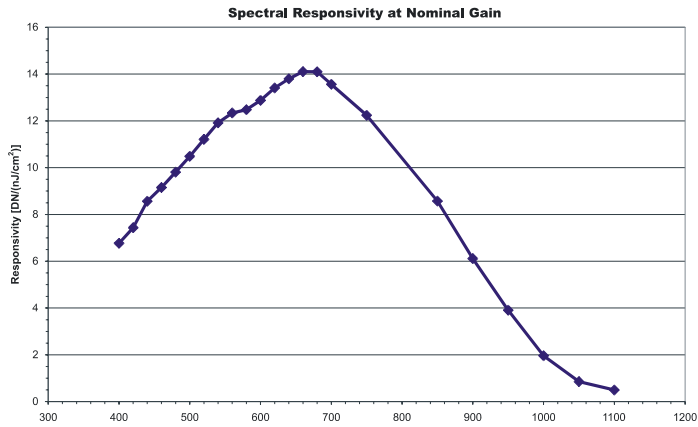
Specifications

Resolution	1400 (H) x 1024 (V)
Data Rate	2 x 80 MHz
Max. Line/Frame Rate	100 fps
Pixel Size	7.4 μm x 7.4 μm
Data Format	8 or 10 bit
Output	Base mini-Camera Link
Lens Mount	C-mount
Responsivity	12 DN/(nJ/cm ²)
Dynamic Range	56 dB
Nominal Gain Range	4x digital
Size	44 x 44 x 44mm
Mass	< 175 g
Operating Temp	0 °C to 50 °C
Power Supply	12V to 15V DC
Power Dissipation	< 4 W
Regulatory Compliance	CE and RoHS
Control	SDR26 mini-Camera Link
Data	Shared with Control
Power	Hirose 6 pin
Example Part Number	FA-20-01M1H

Falcon 1.4M100 (Preliminary)

Area Scan Camera

With its high resolution and speed you can inspect more products, in more detail, in a shorter amount of time.



Units: mm.